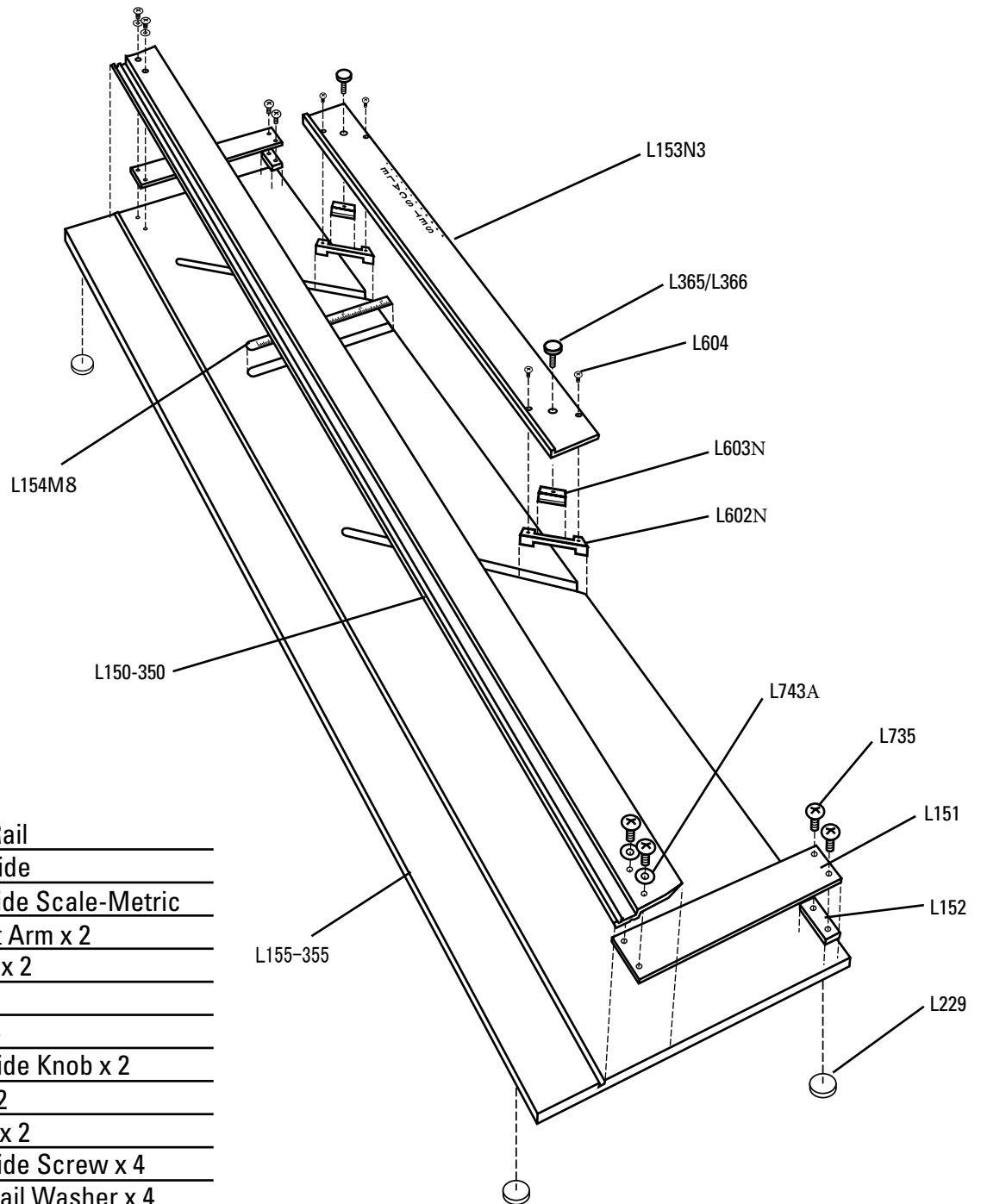


# COMPACT CLASSIC MAT CUTTER

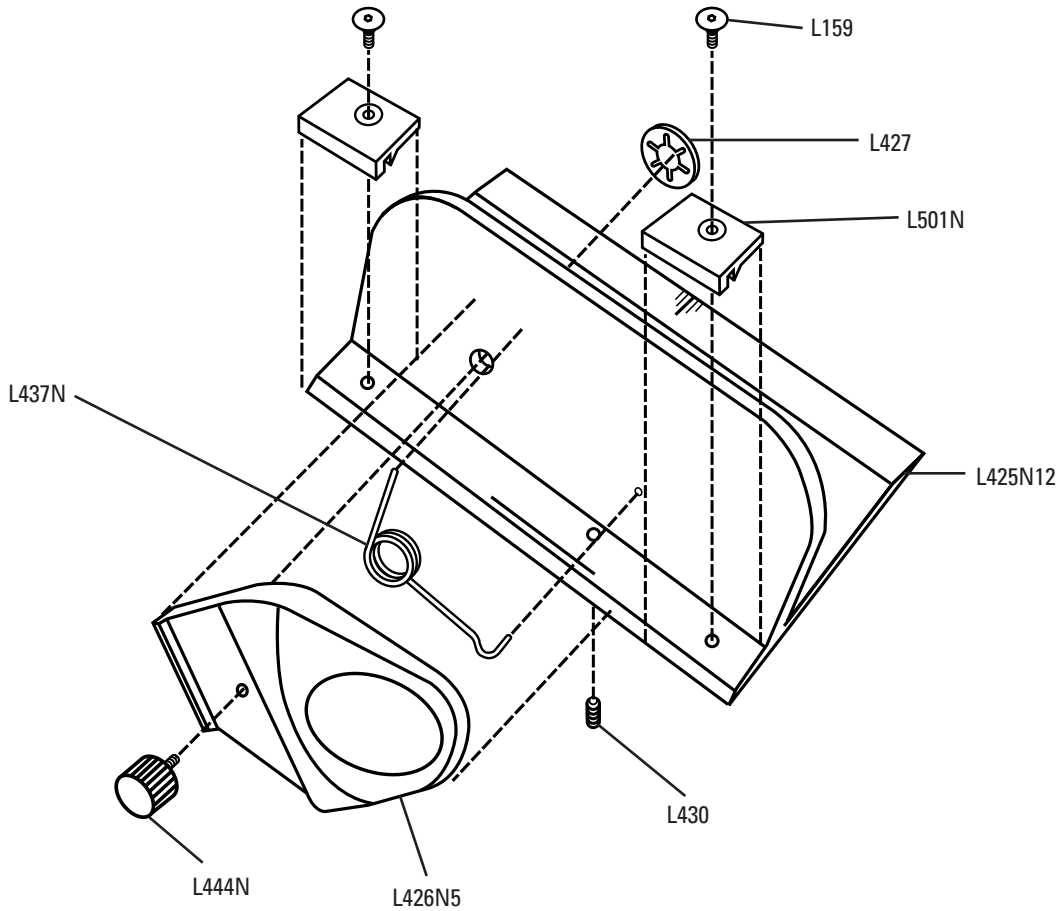
MODEL 301-1

## PARTS DIAGRAM



### Parts List

L150-350	Guide Rail
L153N3	Mat Guide
L154M8	Mat Guide Scale-Metric
L151	Support Arm x 2
L152	Spacer x 2
L155-355	Board
L229	Feet x 4
L365/L366	Mat Guide Knob x 2
L602N	Slide x 2
L603N	Wedge x 2
L604	Mat Guide Screw x 4
L743	Guide Rail Washer x 4
L735	Support Arm Screw x 8



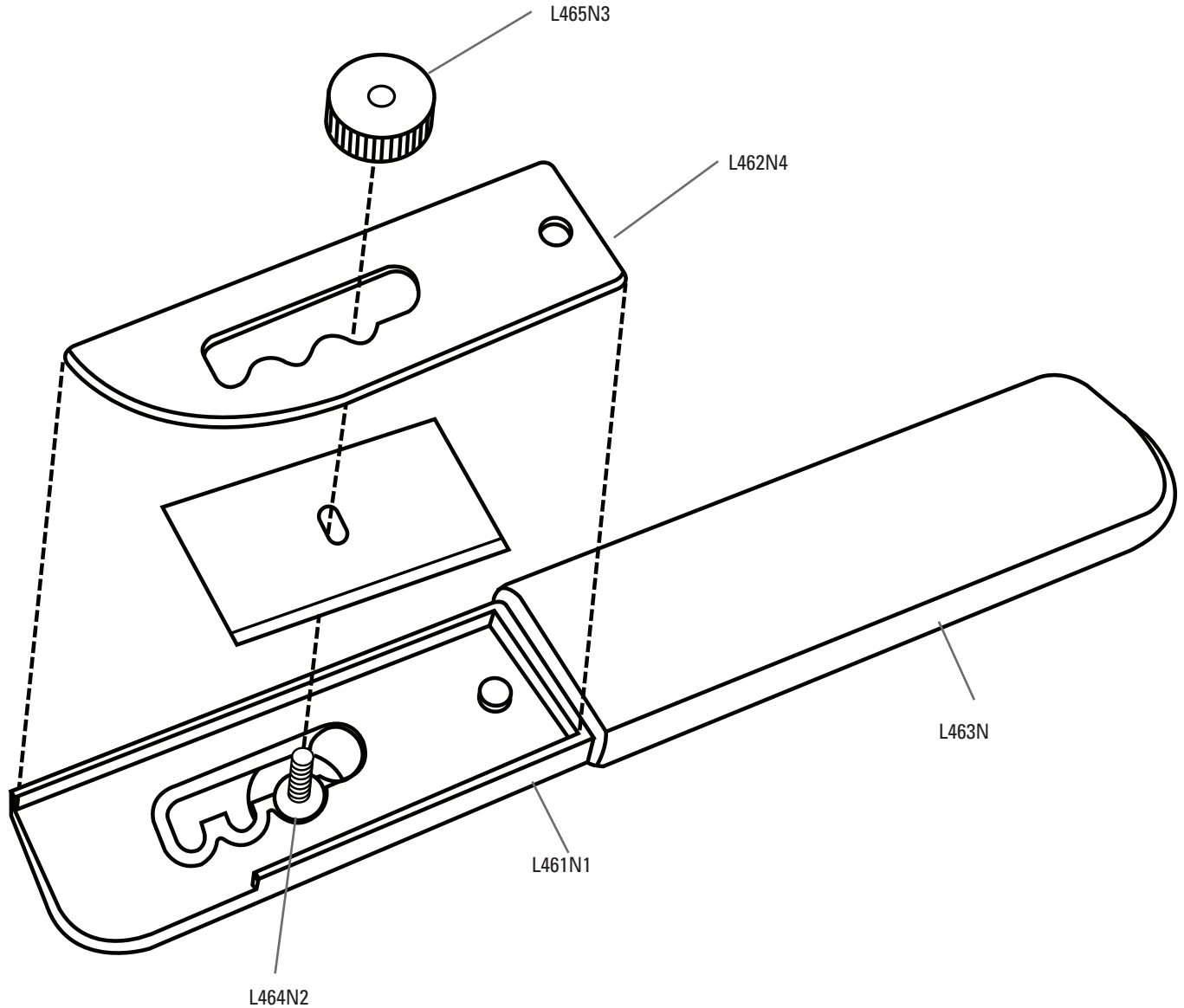
**Parts List**

L425N12	Cutting Head
L426N5	Blade Holder
L427	Push Nut
L430	Depth Screw
L444N	Blade Knob
L501N	Nylon Guide X 2
L159	Screw X 2
L437N	Spring

# MATKNIFE

MODEL 500

## PARTS DIAGRAM



### Parts List

L461N1	Handle
L462N4	Blade Cover
L463N	Grip
L464N2	Bolt
L465N3	Nut